

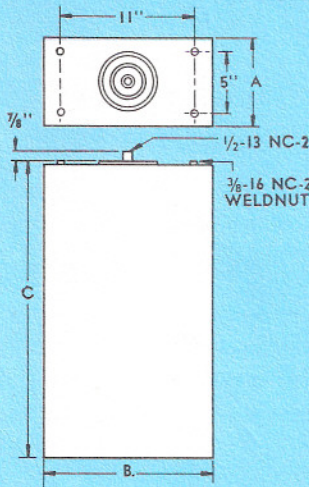
# ENERGY DISCHARGE CAPACITORS

## STANDARD RATINGS

### ENERGY DISCHARGE CAPACITORS

Sangamo Type EDC Energy Discharge Capacitors are available for immediate delivery from stock.

#### TYPE EDC, Class B



Catalog Number	Capacitance* $\mu f$	Discharge† Voltage KV	Inductance $\mu h$	Energy joules	Size (AxBxC) inches	Weight
730503	14	20	.040	2800	7½x14x24 <sup>5/16</sup>	165
730504	60	10	.040	3000	7½x14x24 <sup>5/16</sup>	165
730505	240	5	.040	3000	7½x14x24 <sup>5/16</sup>	165
730533	8	20	.040	1600	7½x14x15 <sup>5/8</sup>	100
730534	35	10	.040	1750	7½x14x15 <sup>5/8</sup>	100
730535	140	5	.040	1750	7½x14x15 <sup>5/8</sup>	100

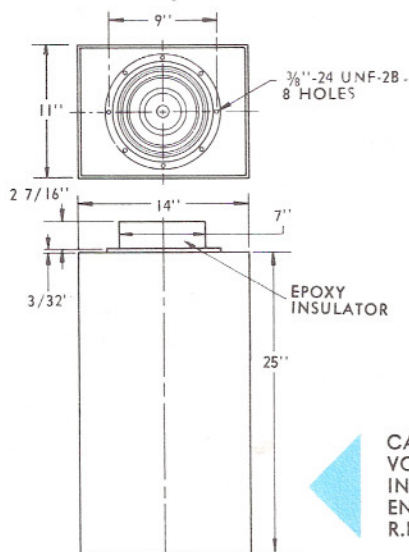
#### TYPE EDC, Class C

740503	14	20	.040	2800	7½x14x24 <sup>5/16</sup>	165
740504	60	10	.040	3000	7½x14x24 <sup>5/16</sup>	165
740505	240	5	.040	3000	7½x14x24 <sup>5/16</sup>	165
740533	8	20	.040	1600	7½x14x15 <sup>5/8</sup>	100
740534	35	10	.040	1750	7½x14x15 <sup>5/8</sup>	100
740535	140	5	.040	1750	7½x14x15 <sup>5/8</sup>	100

\* Standard capacitive tolerance is -5%, +15%.

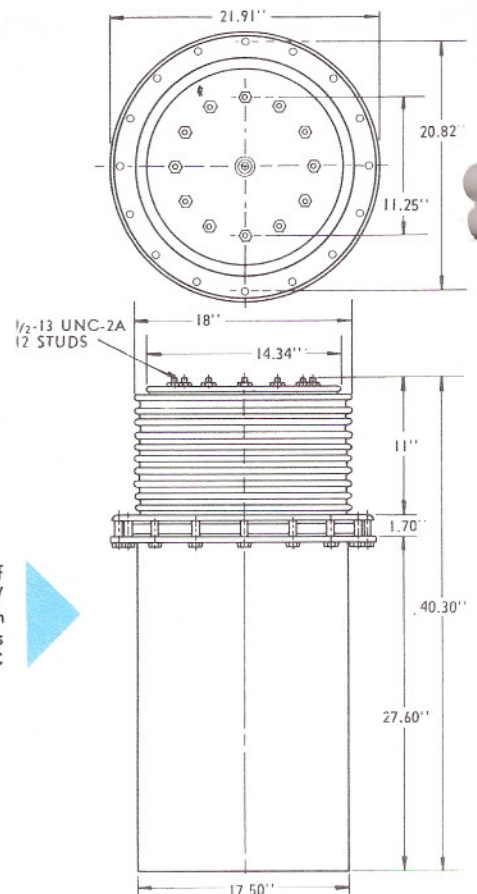
† These units are designed for discharge applications and should not be operated continuously without proper voltage derating.

### SPECIAL DISCHARGE CAPACITORS



CAPACITANCE .8  $\mu f$   
 VOLTAGE 120 KV  
 INDUCTANCE .1  $\mu h$   
 ENERGY 6000 Joules  
 R.F. 500 KC

CAPACITANCE 2.0  $\mu f$   
 VOLTAGE 50 KV  
 INDUCTANCE .015  $\mu h$   
 ENERGY 2500 Joules  
 R.F. 800 KC



18Fx  
 355x  
 660